

# Product data sheet

## Characteristics

# 9050JCK37V20

Timing Relay, Type JCK, plug In, interval, adjustable time, 0.3 to 30 minutes, 10A, 240 VAC, 120 VAC/110 VDC

Product availability : Stock - Normally stocked in distribution facility



### Main

Product range	9050JCK
Product type	Timer
Timing mode	Interval
Timing range	0.3...30 min
Supply voltage	120 V AC 110 V DC

### Complementary

Power consumption	2 VA
Current rating	10 A
Switch function	DPDT
Contact composition	2 NO + 2 NC
Contact material	Silver nickel
Maximum switching voltage	240 V AC
Mounting type	Socket
Number of pins	8
Shape of pins	Tubular
For use with	8501NR52 8501NR51

### Environment

Certifications	CE UL Listed UL Recognized
----------------	----------------------------------

\* Price is "List Price" and may be subject to a trade discount – check with your local distributor or retailer for actual price.

Ambient temperature range - operational	-18...150 °F (-28...66 °C)
Height	2.40 in (61 mm)
Width	1.69 in (43 mm)
Depth	4.09 in (104 mm)

### Ordering and shipping details

Category	21651 - 9050 JCK(NOT JCK60, 70) G P TIMERS
Discount Schedule	CP2
GTIN	00785901032861
Nbr. of units in pkg.	1
Package weight(Lbs)	0.29 lb(US) (0.13 kg)
Returnability	Yes
Country of origin	US

### Packing Units

Unit Type of Package 1	PCE
Package 1 Height	1.80 in (4.572 cm)
Package 1 width	2.50 in (6.35 cm)
Package 1 Length	4.50 in (11.43 cm)
Unit Type of Package 2	CAR
Number of Units in Package 2	20
Package 2 Weight	5.50 lb(US) (2.495 kg)
Package 2 Height	4.50 in (11.43 cm)
Package 2 width	10.00 in (25.4 cm)
Package 2 Length	11.00 in (27.94 cm)

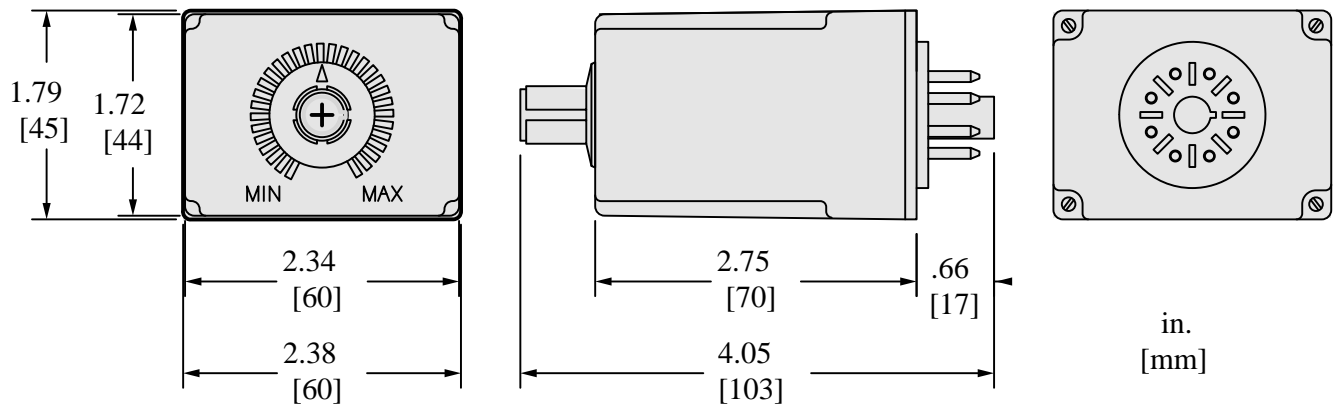
### Offer Sustainability

Sustainable offer status	Green Premium product
REACH Regulation	<a href="#">REACH Declaration</a>
REACH free of SVHC	Yes
EU RoHS Directive	Pro-active compliance (Product out of EU RoHS legal scope) <a href="#">EU RoHS Declaration</a>
Toxic heavy metal free	Yes
Mercury free	Yes
RoHS exemption information	<a href="#">Yes</a>
China RoHS Regulation	<a href="#">China RoHS declaration</a>
Environmental Disclosure	<a href="#">Product Environmental Profile</a>
Circularity Profile	<a href="#">End of Life Information</a>

### Contractual warranty

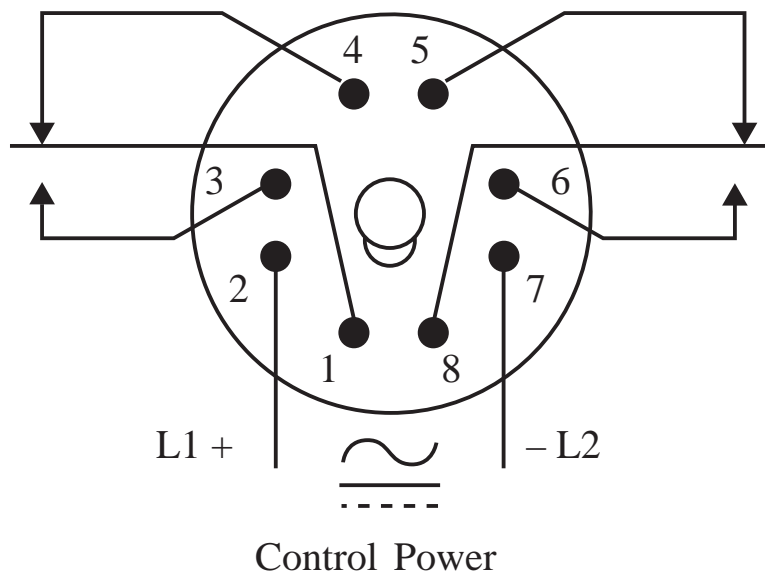
Warranty	18 months
----------	-----------

Dimensions



All dimensions are approximate. Also see technical documentation.

Wiring Diagram



JCK 11 – JCK19  
JCK31 – JCK39  
JCK51 – JCK59  
JCK60